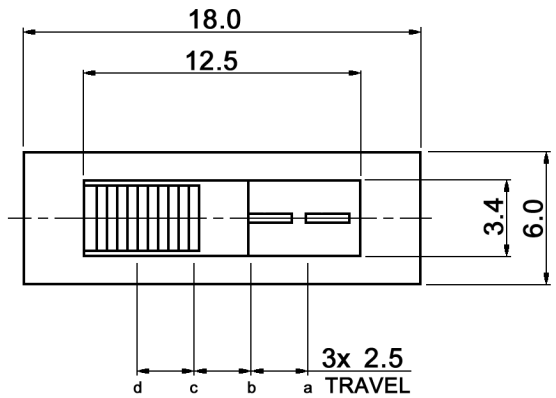
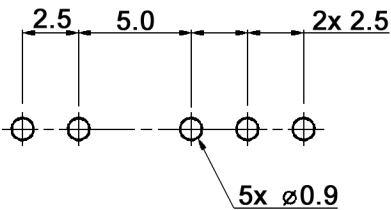


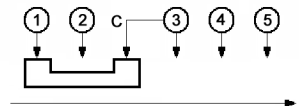
HOLE LAYOUT ± 0.05



Specifications:

- Contact rating: 0.3A, 30V DC
- Contact resistance: 30mOhm max.
- Insulation resistance: 100MOhm min. at 500V DC
- Dielectric strength: 500V AC (50/60Hz, 2mA) for 1 minute
- Operating temperature: -25°C to +85°C
- Storage temperature: -40°C to +85°C
- Mechanical life: 10 000 cycles
- Operating force: a-b d-c: 200 +/-100gf
b-c c-b c-d b-a: 300 +/-150gf
- Soldering conditions: iron method: 350 +/-10°C, 3 +/-1sec.
- Material: Terminal: brass strip, silver plated
Contact clip: C5210R-EH, silver plated
Steel ball: carbon steel, natural
Spring: SWC, temper
Base: phenolic resin, natural
Frame: SPCC, nickel plated
Slider: POM, black

CIRCUIT DIAGRAM
BOTTOM VIEW



x	Actuator length (L)
(empty)	4.0 mm
9	9.0 mm

Compliance: RohS III (2015/863/EU)

Tolerances: up to 10: ± 0.2 mm above 10-50: ± 0.3 mm	Date 07/15	Name dr	<h1>MFP 1424-x</h1>
Rename	03/22	dr	<h2>30 33 78</h2>
Temperatures	10/19	dr	
Modifications	Date	Name	Page 1/1